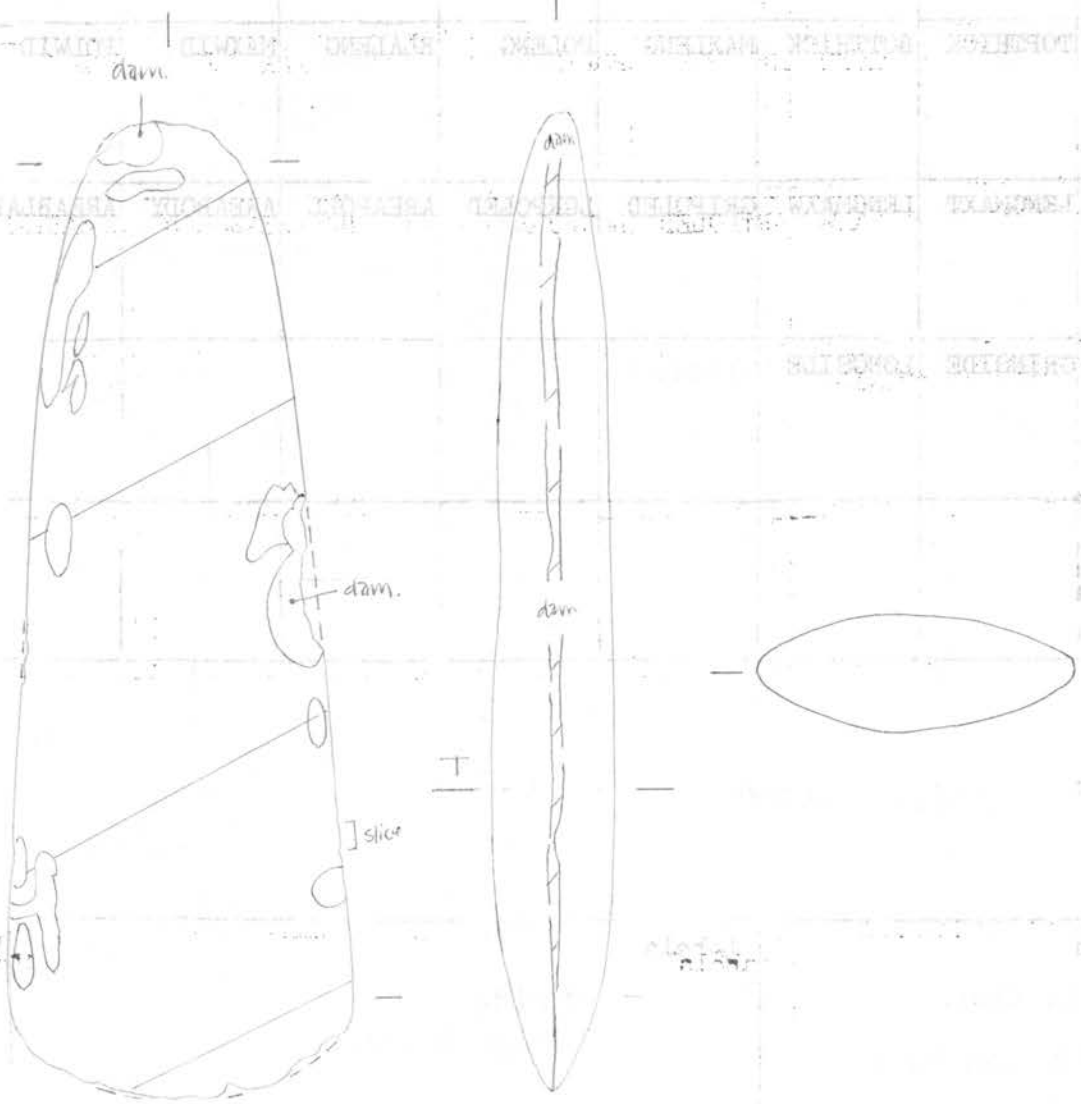


61014

No. 107 Material: Date of find: Location:

Inventory No. Description of object: Material: Date of find: Location:



↑
damage scars
on back